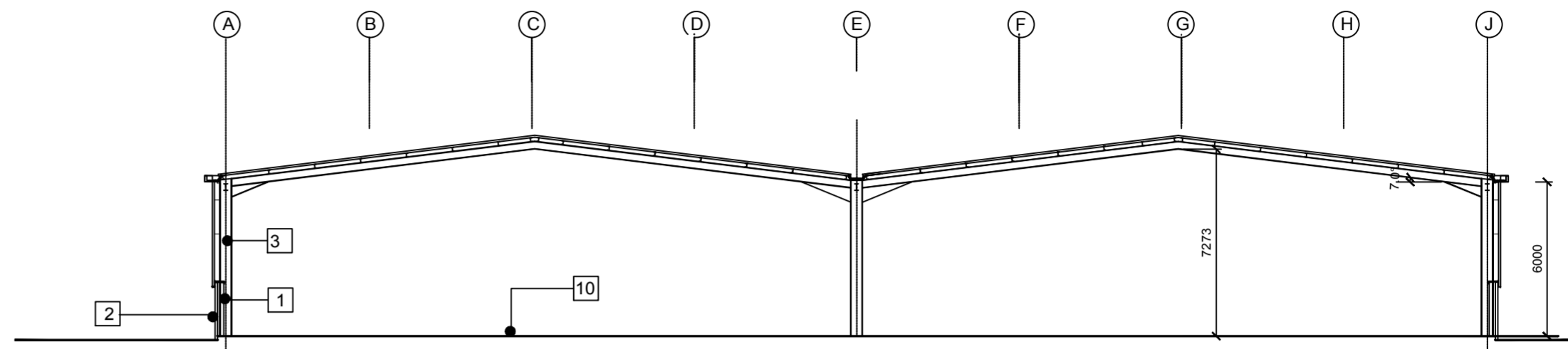
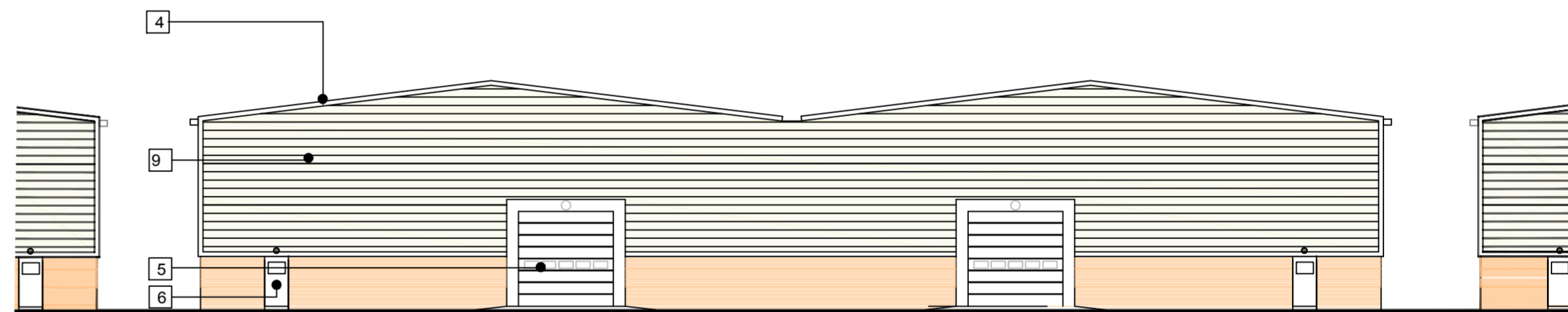


PLAN OF ALGAE BUILDING - 4 No (1:250)



TYPICAL SECTION 1:200



TYPICAL ELEVATION ALL SIDES (1:200)

KEY:

- | | |
|---|--|
| <ul style="list-style-type: none"> 1. 140MM CONCRETE BLOCK INNER SKIN UP TO 2100 AFFL 2. 102MM OUTER SKIN OF FACE BRICKWORK 3. PORTAL FRAME TO STRUCTURAL ENGINEERS DETAILS 4. COMPOSITE PANEL FULLY INSULATED ROOF SYSTEM KINGSPAN OR SIMILAR SUPPORTED BY STRUCTURAL PURLINS 5. HORIZONTAL PANEL UP AND OVER DOORS BY CRAWFORD OR SIMILAR 6. STEEL FACED ESCAPE DOORS 7. MALE FACILITIES (SHOWER, WC AND CHANGING) FORMED IN 100MM METAL STUDWORK 2600MM AFFL 8. FEMALE FACILITIES (SHOWER, WC AND CHANGING) FORMED IN 100MM METAL STUDWORK 2600MM AFFL | <ul style="list-style-type: none"> 9. 300MM COMPOSITE STEEL FACED WALL PANEL HORIZONTALLY LAID. PANEL SYSTEM BY KINGSPAN OR SIMILAR 10. POWER FLOATED CONCRETE SLAB TO ENGINEERS DETAILS 11. DISABLED WC 12. FILON FAIRs GRP ROOFLIGHTS TRIPLE SKIN FACTORY ASSEMBLED INSULATED ROOFLIGHTS DESIGNED TO PROVIDE NATURAL LIGHT |
|---|--|

This drawing is copyright ©
NOTE: All dimensions to be checked on site and not scaled from the drawing.



HUW GRIFFITHS
ARCHITECTS LTD
PENSABR STAKTREDIG
CHARTERED ARCHITECT

CLIENT Egnedol UK Ltd.	JOB TITLE Blackbridge Power Station and Eco Park Milford Haven	DRNG TITLE Algae Building Plan Section and Elevations
DATE January 2016	DRAWN CHECKED	SCALE 1:200 / 1:250
A2		DRNG NO HG-15-07-P12
		REV PURPOSE Planning

HUW GRIFFITHS ARCHITECTS LTD
NORTH HILL, 7 ST. JAMES CRESCENT, SWANSEA, SA1 6DP Tel: 01792 644038 Fax: 01792 645446 Email: design@huwgriffithsarchitects.co.uk